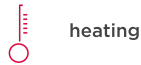


# Pegler Terrier push-fit elbow connector FM 15x1/2" CR



group: PFE item: 7P1012 category: radiator-valves

## applications



heating

## segments



commercial building

## approvals

no approvals available

this article is part of a product group (PFE) that contains a total of 2 items

[view all 2 items](#)

## specifications - characteristics

materials	
shape	Elbow
connection type	push

## specifications - general

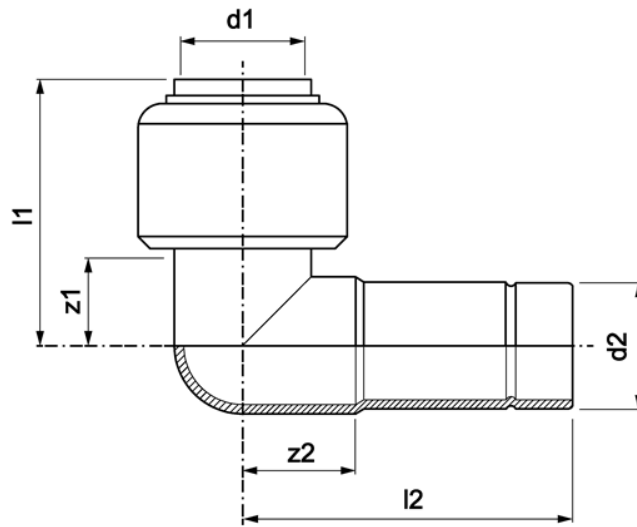
product group	radiator valves (accessories (radiator valves))
ETIM class	EC003024 Fitting with 2 connections
HS code	74122000
brand	VSH
series	Terrier Domestic
product type	PFE

## specifications - product info

item	Pegler Terrier push-fit elbow connector FM 15x1/2" CR
item number with gtin	7P1012 (05022050263070)
product number with gtin	7P1012 (05013866077401)
manufacturer	Aalberts integrated piping systems Ltd (Pegler)
item group	PFE - Push Fit Elbow Connector
size	15x1/2
weight	0.06 kg
dimensions	15x25x55 mm
packaging	bag (10 pce)

## dimensions

d1	l1	z1	DN2	l2	z2
15.0	30	6	1/2" (DN15)	42	15



## sustainability

carbon footprint (A-C) embodied carbon 0.24kgCO<sub>2</sub>e

data source TM65

## downloads

[Push\\_Fit\\_Elbow\\_Connector - jpg](#)

[Diagram - png](#)